

TELEDYNE HASTINGS

MASS FLOWMETER/CONTROLLER POWER SUPPLIES

INSTRUMENTS

Models 40, 200, 400

FEATURES

- Half-Rack Panel Mount
- 3-1/2 Digital LCD Display
- Power for Two to Four Flow Instruments
- External Reference Inputs for Slaving of Controllers and/or Computer Generated Setpoints
- Converts 0 - 5 VDC Meter Output to Appropriate Flow Units



Model 40



Model 200



Model 400

DESIGN FEATURES

Teledyne Hastings Instruments (THI) Power Supplies/Displays are designed as combination power supplies and digital readout monitors. Use of THI Power Supplies and Cables will simplify the setup and operation of THI Flow Instruments. This is ideal for use in temporary setups, portable applications, and flow instrument evaluations. They can simultaneously power a combination of different THI Flow Instruments. The front panel (9.47 in. W x 3.47 in. H) allows mounting of two units in a standard 19-in. rack. A terminal strip on the rear panel provides the user with continuous analog outputs from all channels.

Models 200 and 400 can accommodate two or four THI Flow Instruments, respectively, having the model number prefixes of HFM or HFC. The Model 40 is for flowmeters only and can power any combination of up to four flowmeters having the model number prefix HFM. The Model 40 also features user-adjustable gas-conversion factors for direct reading when changing gases.

For your gas blending applications, our Models 200 and 400 can be configured to slave one flow controller to another controller or flowmeter. This is commonly used to generate constant gas mixtures when varying flowrates are desired. Either channel can be set up as the master or the slave. Normally the master will be a flow controller and will be controlled by the command potentiometer on the front panel for its channel.

MODELS 40, 200, 400

INDIVIDUAL SPECIFICATIONS

Model 40

For use with flowmeters only; powers up to four instruments.

Output	-15 VDC at 300 mA +15 VDC at 300 mA
Power	90-125/180-250 VAC / 50/60 Hz

Model 200

For use with flowmeters or controllers; powers one or two instruments.

Output	-15 VDC at 450 mA +15 VDC at 150 mA
Power	100-125/200-250 VAC / 50/60 Hz

Model 400

For use with flowmeters or controllers; powers up to four instruments.

Output	-15 VDC at 850 mA +15 VDC at 250 mA
Power	112-125/224-250 VAC / 50/60 Hz

GENERAL SPECIFICATIONS (For Models 40, 200, 400)

Meters	3-1/2 digit
Use	1 to 4 channels, selectable (1 or 2, Model 200)
Scaling	Each channel has its own meter scaling. (Model 40 has separate conversion factor scaling)
Weight (approx.)	4 lb (1.8 kg)

Teledyne Hastings Instruments reserves the right to change or modify the design of its equipment without any obligation to provide notification of change or intent to change.

Flow Power Supplies

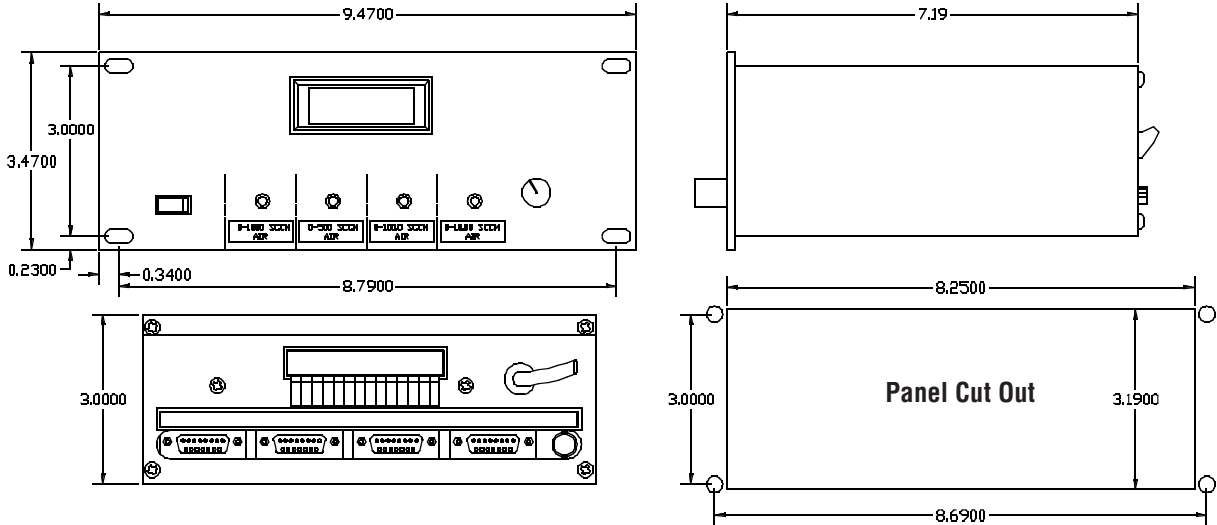
Stock No.	Model No.	Description
54-199	Model 200	2-Channel Power Supply
54-198	Model 400	4-Channel Power Supply
54-214	Model 40	4-Channel Power Supply

Please specify for configuration of each channel, flow rate and gas.

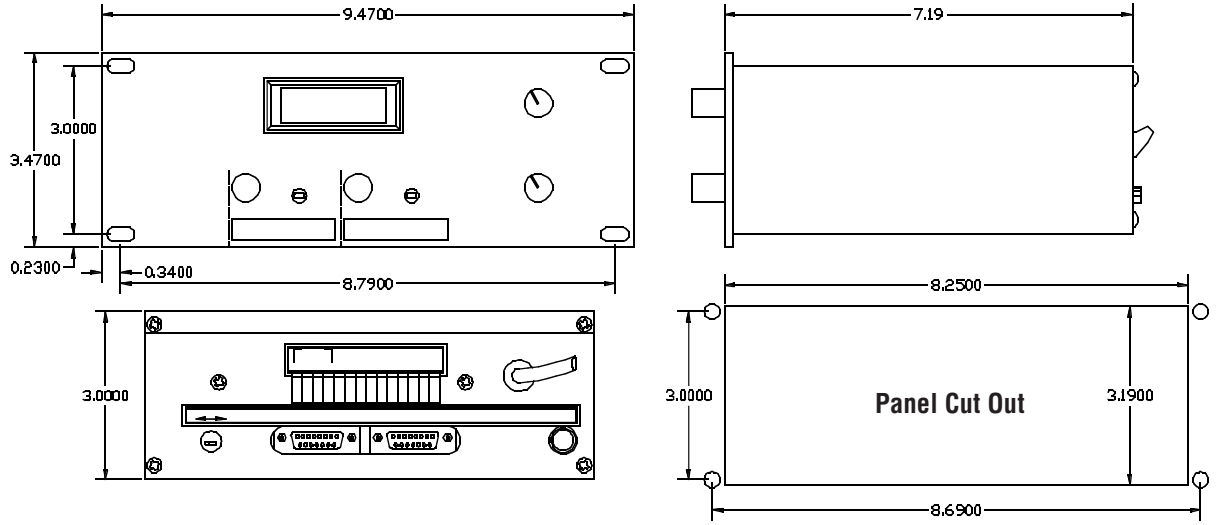
Cables (lengths approx.)

65-149	AF-8-AM	8-ft D-connector (H Pinout)
65-148	AF-25-AM	25-ft D-connector (H Pinout)
65-160	AF-50-AM	50-ft D-connector (H Pinout)
65-193	AF-100-AM	100-ft D-connector (H Pinout)
65-791	AF-8-AMU	8-ft D-connector (U Pinout)

Model 40



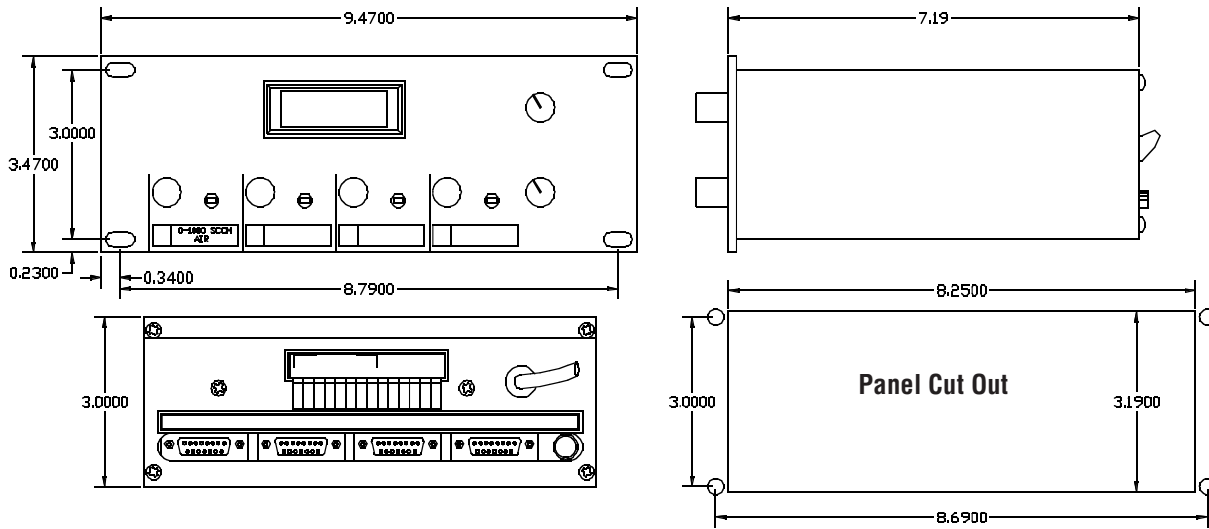
Model 200



All dimensions shown in inches.

MODELS 40, 200, 400

Model 400



Your Customer Service Representative



TELEDYNE INSTRUMENTS

Hastings Instruments

A Teledyne Technologies Company

Telephone: (757) 723-6531

Toll Free: (800) 950-2468

Fax: (757) 723-3925

World Wide Web: <http://www.teledyne-hi.com>

E-mail: hastings_instruments@teledyne.com

P.O. Box 1436

Hampton, VA 23661