

TELEDYNE HASTINGS

INSTRUMENTS

MASS FLOWMETER/CONTROLLER POWER SUPPLY

THPS 100

FEATURES

- Fully integrated 4.5 digit display
- Applications include capacitance manometers and other all-media pressure transducers
- ± 15 volt, 250 mA transducer supply
- High Accuracy: $\pm 0.01\%$ FS ± 1 digit
- Resolution: 1 part out of $\pm 19,999$
- CE Compliance: EN55011:1991
EN50082-2:1995
EN61010-1:1993
- 0-5 or 0-10 volt set point output programmed from front panel
- Anodized aluminum case for bench top use or panel mounting (1/8 DIN)
- Two high and two low programmable alarm outputs
- Display can be zeroed from the front panel or remotely
- All controls can be accessed via RS232 interface



THPS 100



Flowmeters and Controllers

DESIGN FEATURES

The Teledyne Hastings Instruments (THI) Power Supply THPS 100 is a self-contained power supply and display for gas mass flowmeters, pressure transducers or any device with a voltage output. The unit features an automatically generated set point (0-5V or 0-10V), making it ideal for use with flow controllers and pressure controllers.

The display and power supply are housed in a metal case with a power cord and can be used on a bench top or fitted to a panel.

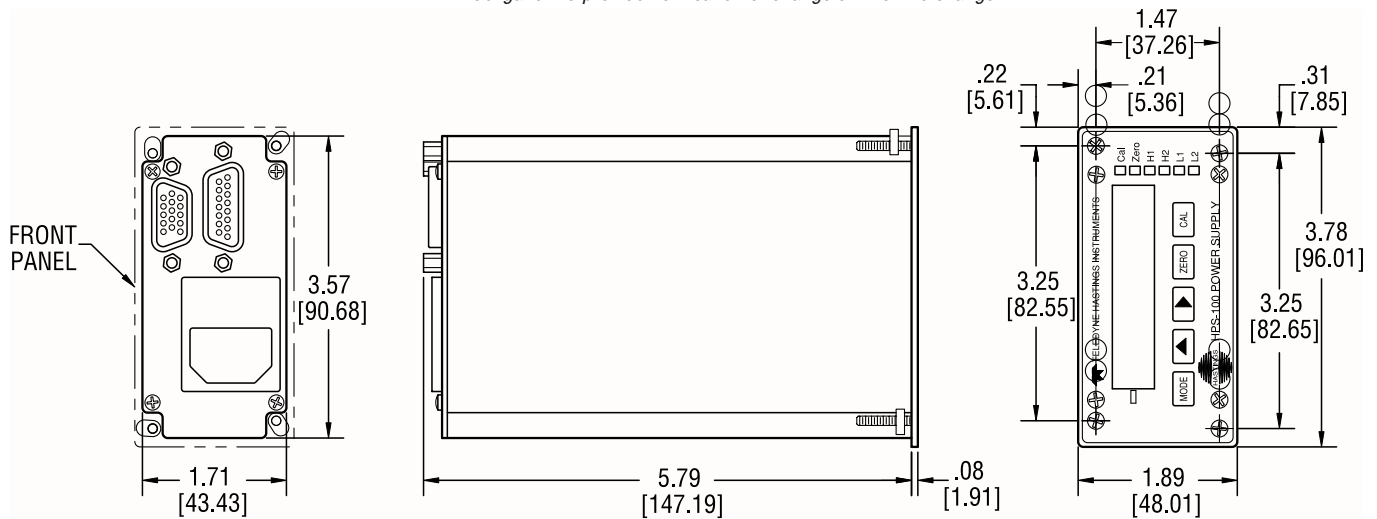
The THI THPS 100 features a transducer connector and inter-face connector. When supplied with a transducer, the unit comes fully configured.

The interface connector allows the user to communicate with the THI Power Supply and read values from it. The interface connector also has a remote zero facility.

SPECIFICATIONS

Full Scale Input	0-5 volt or 0-10 volt
Input Impedance	> 1 Megaohm
A/D Resolution	1 part out of $\pm 19,999$
A/D Zero Stability	$\pm 1\mu$ V/C (typical)
Command Output	0-5 volt or 0-10 volt operator selectable
Linearity	$\pm 0.01\%$ F.S. ± 1 count
Display Type	4.5 digit, 10mm green LED
Display Range	-19999 to +19999
Transducer Power Supply	± 15 volts at 250mA
Operating Temperature Range	+5° to +50°C
Decimal Point Selection	Operator selectable from front panel
Power Supply	115 VAC, 230 VAC or 100 VAC (Japan); 50/60 Hz
Dimensions	1/8 DIN (see below)
Weight	800g
Panel Cut Out	Standard 1/8 DIN
Mains Connector	IEC 320, Fused
Alarm Output	2 high and 2 low alarms, programmable setpoints Open collector output (TTL)
Order Codes	Standard unit: THPS-100-XXX, where XXX is supply voltage THPS-100-115 THPS-100-230 THPS-100-100 (Japan)

Teledyne Hastings Instruments reserves the right to change or modify the design of its equipment without any obligation to provide notification of change or intent to change.



Your Customer Service Representative



TELEDYNE INSTRUMENTS

Hastings Instruments
A Teledyne Technologies Company

Telephone: (757) 723-6531
Toll Free: (800) 950-2468
Fax: (757) 723-3925
World Wide Web: <http://www.teledyne-hi.com>
E-mail: hastings_instruments@teledyne.com
P.O. Box 1436
Hampton, VA 23661